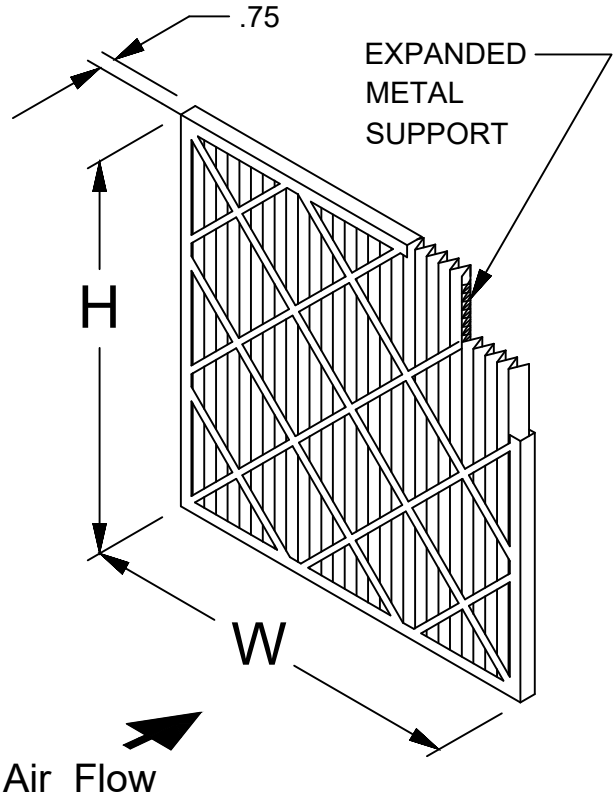


Nominal Size W x H x D (in)	Actual Size W x H x D (in)	Part Number	Capacity (CFM)	Resistance (in W.G.)	Media Area (sq ft)	Carton Qty	Weight per Carton (lbs)
10 x 10 x 1	9-1/2 x 9-1/2 x 3/4	102-061-020	200	0.20	1.2	12	10
10 x 20 x 1	9-1/2 x 19-1/2 x 3/4	102-680-001	425	0.20	2.4	12	7
12 x 12 x 1	11-1/2 x 11-1/2 x 3/4	102-680-051	300	0.20	1.7	12	10
12 x 18 x 1	11-1/2 x 17-1/2 x 3/4	102-061-001	450	0.20	2.6	12	11
12 x 20 x 1	11-1/2 x 19-1/2 x 3/4	102-061-002	500	0.20	2.9	12	12
12 x 24 x 1	11-3/8 x 23-3/8 x 3/4	102-680-002	600	0.20	3.5	12	9
12 x 25 x 1	11-1/2 x 24-1/2 x 3/4	102-061-003	625	0.20	3.6	12	14
14 x 20 x 1	13-1/2 x 19-1/2 x 3/4	102-680-003	575	0.20	3.4	12	11
14 x 24 x 1	13-1/2 x 23-1/2 x 3/4	102-061-005	700	0.20	4.1	12	15
14 x 25 x 1	13-1/2 x 24-1/2 x 3/4	102-680-004	725	0.20	4.2	12	13
14 x 30 x 1	13-1/2 x 29-1/2 x 3/4	102-061-039	875	0.20	5.0	12	14
15 x 20 x 1	14-1/2 x 19-1/2 x 3/4	102-680-005	625	0.20	3.6	12	11
15 x 25 x 1	14-1/2 x 24-1/2 x 3/4	102-061-006	775	0.20	4.5	12	16
16 x 16 x 1	15-1/2 x 15-1/2 x 3/4	102-061-007	550	0.20	3.1	12	13
16 x 20 x 1	15-1/2 x 19-1/2 x 3/4	102-680-006	675	0.20	3.9	12	11
16 x 24 x 1	15-1/2 x 23-1/2 x 3/4	102-061-008	800	0.20	4.6	12	14
16 x 25 x 1	15-1/2 x 24-1/2 x 3/4	102-680-007	850	0.20	4.8	12	12
16 x 30 x 1	15-1/2 x 29-1/2 x 3/4	102-061-018	1000	0.20	5.7	12	15
18 x 18 x 1	17-1/2 x 17-1/2 x 3/4	102-061-009	675	0.20	3.9	12	14
18 x 20 x 1	17-1/2 x 19-1/2 x 3/4	102-061-015	750	0.20	4.3	12	14
18 x 24 x 1	17-3/8 x 23-3/8 x 3/4	102-061-016	900	0.20	5.2	12	14
18 x 25 x 1	17-1/2 x 24-1/2 x 3/4	102-061-011	950	0.20	5.4	12	14
18 x 30 x 1	17-1/2 x 29-1/2 x 3/4	102-061-044	1125	0.20	6.5	12	15
20 x 20 x 1	19-1/2 x 19-1/2 x 3/4	102-680-008	850	0.20	4.8	12	12
20 x 22 x 1	19-3/4 x 21-1/2 x 3/4	102-061-049	900	0.20	5.3	12	13
20 x 24 x 1	19-3/8 x 23-3/8 x 3/4	102-061-017	1000	0.20	5.8	12	14
20 x 25 x 1	19-1/2 x 24-1/2 x 3/4	102-680-009	1000	0.20	6.0	12	13
20 x 30 x 1	19-1/2 x 29-1/2 x 3/4	102-061-012	1250	0.20	7.2	12	16
24 x 24 x 1	23-3/8 x 23-3/8 x 3/4	102-680-010	1200	0.20	6.9	12	14
24 x 30 x 1	23-1/2 x 29-1/2 x 3/4	102-061-013	1500	0.20	8.7	12	16
25 x 25 x 1	24-1/2 x 24-1/2 x 3/4	102-061-014	1300	0.20	7.5	12	16



**Standard Construction:**

1. New White 100% Synthetic Media (Treated with Antimicrobial)
2. Rust Resistant Expanded Metal Support on Downstream Side
3. Moisture Resistant Beverage Board Frame (24 point)
4. Double Wall Frame
5. 12 Pleats per Linear Ft.

**Notes:**

1. All Dimensions are in Inches Unless Otherwise Noted.
2. Drawing Not To Scale

**Specifications:**

1. Efficiency: MERV 8 (ASHRAE Standard 52.2-2017)
2. Final Resistance: 1.0" W.G.
3. Rated Velocity: 300 FPM
4. Classified per UL Standard 900
5. Max Operating Temp: 200 F ( 66C )
6. Tolerance: Height & Width - +/- 1/8"
7. Tolerance: Depth - +/- 1/16"

	<b>Microsafe</b> <b>1" Standard Capacity</b>	REV	REVISION	BY / DATE	
		LTR			
8401 Air Commerce Drive - Louisville KY 40219 Phone: (502) 634-4796 FAX: (502) 637-2280		Drawn By: Dave Miller Date: 23 August, 2022	Revision		